

**INSTRUCTIONS FOR REPLACING 3974-250, AUTOMATIC UNIVERSAL ROLL TOWEL DISPENSER MODULE**  
BOBRICK MODELS B-3974, AND B-3979 CONVERTIBLE AUTOMATIC ROLL TOWEL DISPENSER AND WASTE RECEPTACLE

**REMOVING EXISTING MODULAR HOUSING ASSEMBLY**

1. Unlock and open the door of the Modular Housing Assembly.
2. Remove the paper towel roll if applicable.
3. Loosen but do not remove the Washer Lock Nuts located on the left and right sides of the Modular Housing Assembly until the Carriage Bolt can be moved. The Hex Lock Nut should not be removed from the Carriage Bolt, ensuring that the Carriage Bolt will not fall into the wall cavity. (See Figure 1)
4. Remove the mounting hardware, the Carriage Bolt with the Washer Lock Nut, by sliding them toward the hole until the head of the carriage bolt can move through the round portion of the keyhole slot. Put aside, four places.
5. Repeat Steps 3 and 4 for the mounting screws at the top of the Modular Housing Assembly while holding the Housing in place with one hand.
6. Carefully remove the housing from the cabinet.

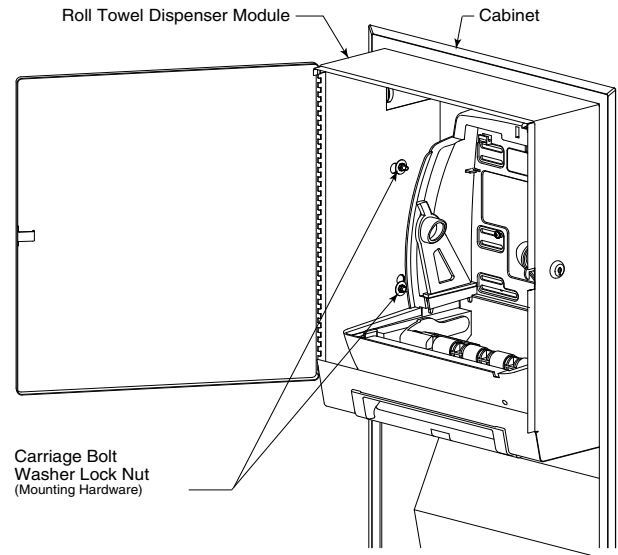
**INSTALLING NEW MODULAR HOUSING ASSEMBLY**

1. Unlock and open the door of the Modular Housing Assembly.
2. Carefully slide new Modular Housing Assembly into the cabinet and support it from underneath with one hand. (See Figure 2)
3. Insert one set of mounting hardware, the Carriage Bolt with the Washer Lock Nut, into the round portion of the upper right or left side keyhole slot from the inside of the housing with the head of the Carriage Bolt going in first. Position the square shoulder of the Carriage Bolt so that it is parallel with the straight sides of the keyhole slot and slide the entire assembly as far over as it will go. The square shoulder of the Carriage Bolt should be in contact with the end of the rectangular portion of the key slot to ensure proper seating of the mounting hardware. (See Figures 3 & 4)
4. Tighten down the Washer Lock Nut with a wrench. The mounting hardware should not move when tugged and the Modular Housing Cabinet should be tight to the cabinet. Do Not overtighten the washer lock nuts.
5. Install the rest of the mounting hardware as described in steps 3 & 4 for the other keyhole slots.

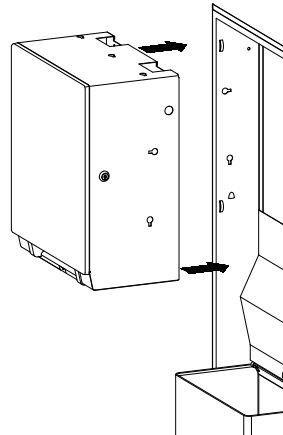
**NOTE:** Waste capacity of these units can be changed by ordering Bobrick part numbers:  
367-60 (12-Gallon Waste Receptacle Module)  
368-60 (18-Gallon Waste Receptacle Module)

**TOOL REQUIRED TO REMOVE LOCK NUT**

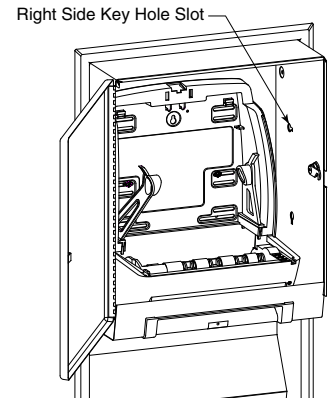
TOOL NAME	TOOL SIZE
Socket, open end or box end wrench	3/8"



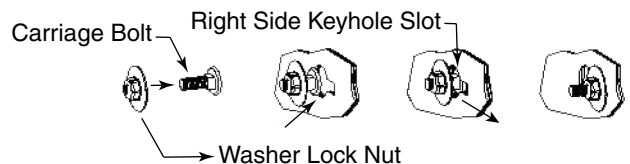
**Figure 1**



**Figure 2**



**Figure 3**



**Figure 4**

**In the U.S.A.: BOBRICK WASHROOM EQUIPMENT, INC.**

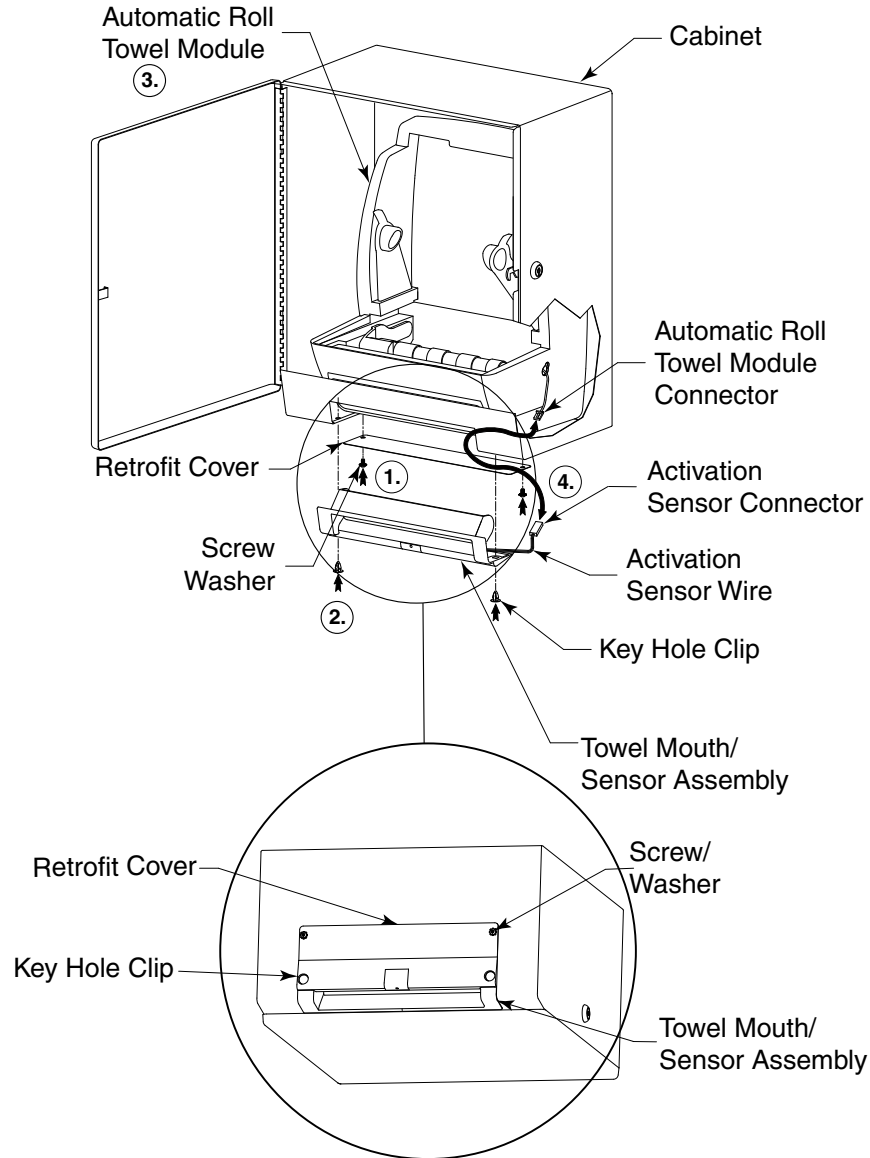
Los Angeles: 6901 Tujunga Ave., North Hollywood, CA 91605-6213; Tel: (818) 982-9600, Fax: (818) 503-1102  
New York: 200 Commerce Drive, Clifton Park, NY 12065-1350; Tel: (518) 877-7444, Fax: (518) 877-5029,  
or e-mail: customerservice@bobrick.com

**In Canada: BOBRICK WASHROOM EQUIPMENT COMPANY**

45 Rolark Drive, Scarborough, Ontario M1R 3B1 • Eastern Canada: Tel: (877) 423-6555, Fax: (877) 423-8555  
• Western Canada: Tel: (877) 423-6444 • Fax: (877) 423-8444 or e-mail: customerservice@bobrick.com



# REPLACEMENT FOR AUTOMATIC ROLL TOWEL MODULE (For units without external LED light) Using 3974-180 Retrofit Kit (Series "A" to "C")



## Remove the existing Automatic Roll Towel Module and the Towel Mouth.

- ① Attach Retrofit Cover to the bottom of the Cabinet using provided Screws and Lock Washers.
- ② Install Towel Mouth/Sensor Assembly by using Key Hole Clips. Towel Mouth should overlap Retrofit Cover slightly with the Activation Sensor Connector and Wire placed inside the Cabinet.

## Take care at all times to not pinch the Activation Sensor Wire.

- ③ Install the new Automatic Roll Towel Module in cabinet using Screws and Lock Washers. Ensure that all screws are securely installed.
- ④ Connect the Automatic Roll Towel Module Connector to the Activation Sensor Connector.



### In the U.S.A.: BOBRICK WASHROOM EQUIPMENT, INC.

Los Angeles: 6901 Tujunga Ave., North Hollywood, CA 91605-6213; Tel: (818) 982-9600, Fax: (818) 503-1102  
 New York: 200 Commerce Drive, Clifton Park, NY 12065-1350; Tel: (518) 877-7444, Fax: (518) 877-5029,  
 or e-mail: customerservice@bobrick.com

### In Canada: BOBRICK WASHROOM EQUIPMENT COMPANY

45 Rolark Drive, Scarborough, Ontario M1R 3B1 • Eastern Canada: Tel: (877) 423-6555, Fax: (877) 423-8555  
 • Western Canada: Tel: (877) 423-6444, Fax: (877) 423-8444 or e-mail: customerservice@bobrick.com